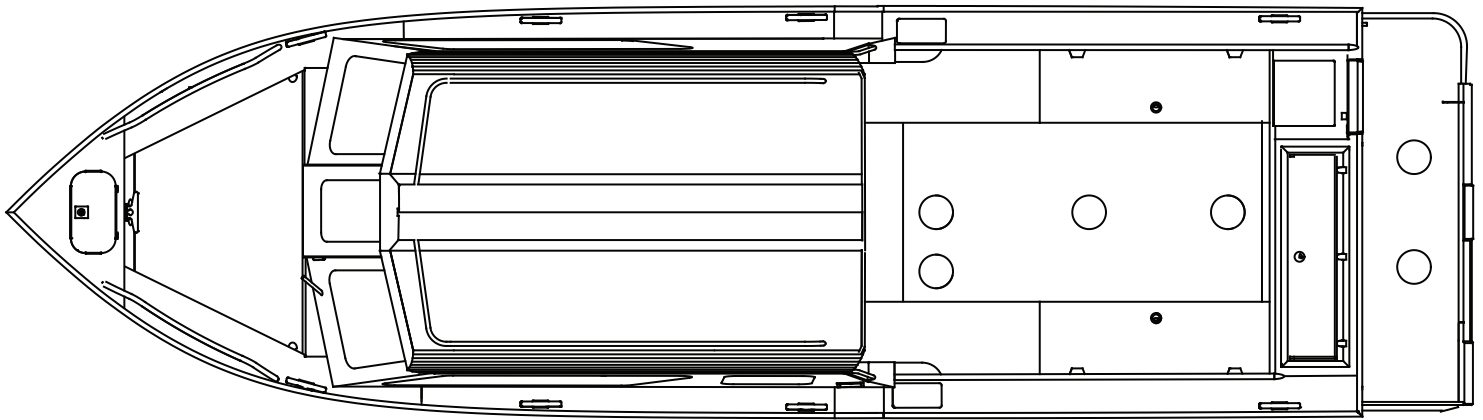


ALASKAN

HARD TOP W/ EXTENDED TRANSOM



MEASUREMENT	250 AK ET HT	250 AK ET HT	270 AK ET HT
Hard top type	RLC	MLC	MLC
Length	25' 11"	25' 11"	27' 11"
Total Length	28' 4"	28' 4"	30' 4"
Beam (in)	102	102	102
Dead Rise: Forward X Amidship X Aft (degrees)	45 X 19 X 15	45 X 19 X 15	45 X 18 X 15
Bottom Dimensions: Thickness X Width (in)	0.25 X 96	0.25 X 96	0.25 X 96
Side Dimensions: Thickness X Height (in)	0.16 X 42	0.16 X 42	0.16 X 42
Transom Dimensions: Width X Height (in)	100.5 X 21	100.5 X 21	100.5 X 21
Person Capacity: Quantity X Weight (lbs)*	10 X 1650	10 X 1650	11 X 1815
Maximum Fuel Capacity (gal)	145	145	190
Maximum Horsepower (HP)	450	450	500
Maximum Capacity (lbs)*	5428	5428	6037
Boat Dry Weight (lbs)	4400	4600	5200
Fishing Cockpit: Width X Length (in)	77 X 108	77 X 84	77 X 108
Seat-To-Transom: Length (in)	151	151	175
Bow Length (in)	44	44	44
Cabin: Width X Length (in) X Height (in)	84 X 95 X 79	84 X 119 X 79	84 X 119 X 79

* Recommendations only for boats over 20'

NOTE: Measurements are approximations only. Variations will occur due to tolerances in manufacturing

Hewes Marine Product Specifications 2021 MY Rev A